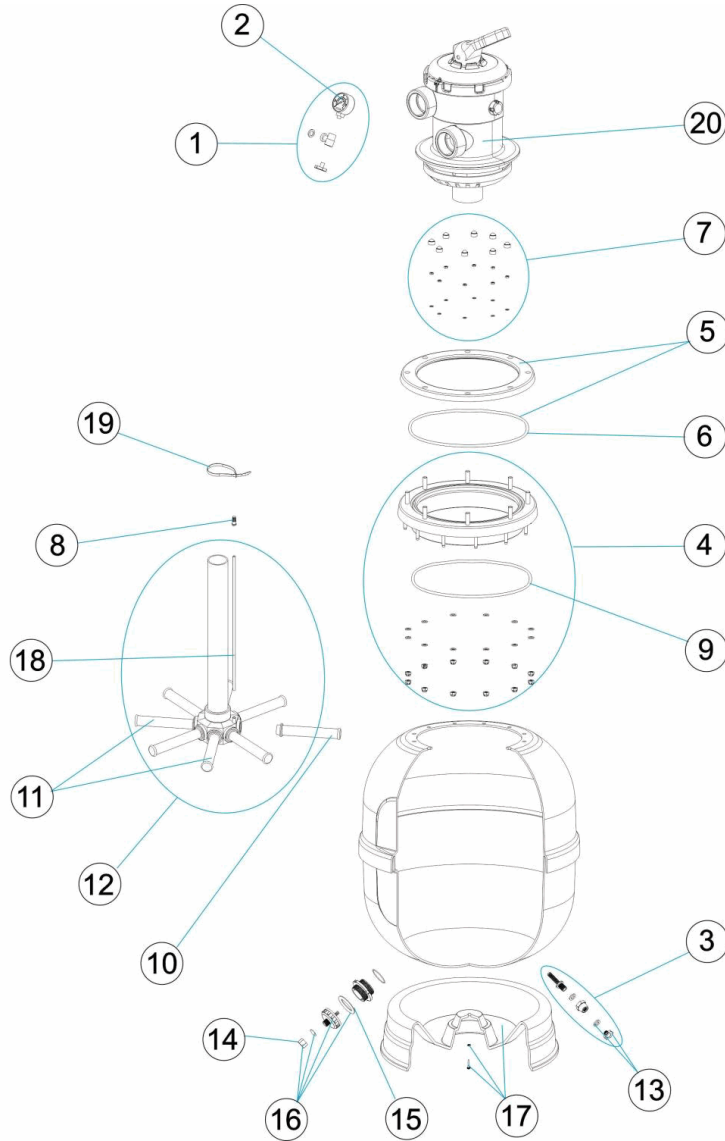


CODIGO **32430, 32431, 32432, 33850, 33851**

DESCRIPCION: **FILTRO VOLCANO VALVULA TOP**



ESPAÑOL

POS	CODIGO	DESCRIPCION	POS	CODIGO	DESCRIPCION
1	4404220101	MANOMETRO COMPLETO	11	* 4404010025	CJTO. BRAZOS COLECTOR D. 400
2	4404220102	MANOMETRO 1/8" 3 KG/C "	11	* 4404010026	CJTO. BRAZOS COLECTOR D. 500
3	4404010108	PURGA AGUA 3/8"	11	* 4404010028	CJTO. BRAZOS COLECTOR D. 650
4	4404160809	ARO CUELLO 20 TORNILLOS	11	* 4404010048	CJTO. BRAZOS COLECTOR D. 750
5	* 4404260105	ARO FIJACION VALVULA TOP 1 1/2"	12	* 4404010151	CJTO. COLECTOR D. 450 TOP
5	* 4404260001	ARO FIJACION VALVULA TOP 2"	12	* 4404010152	CJTO. COLECTOR D. 500 TOP
6	4404260106	JUNTA ARO FIJACION VALVULA	12	* 4404010153	CJTO. COLECTOR D. 600 TOP
7	4404260107	TORNILLERIA ARO FIJACION VALVULA	12	* 4404010154	CJTO. COLECTOR D. 750 TOP
8	4404040108	PURGA AIRE	12	* 4404010155	CJTO. COLECTOR D. 900 TOP
9	4404020116	JUNTA TORICA 255X4	13	4404040113	TAPON PURGA Y JUNTA
10	* 4404300917	BRAZO COLECTOR 1" 110 M "	14	4404020010	CJTO. PURGA AGUA 2 1/2"
10	* 4404300915	BRAZO COLECTOR 1" 175 M "	15	4404180108	JUNTA PLANA FILTRO
10	* 4404300916	BRAZO COLECTOR 1" 225 M "	16	4404180114	PURGA ARENA 2'

*** -> VER HOJA DE OBSERVACIONES**

CODIGO 32430, 32431, 32432, 33850, 33851

DESCRIPCION: FILTRO VOLCANO VALVULA TOP

10	* 4404290109	BRAZO COLECTOR 1" 265 M "	17	* 4404010040	PIE FILTRO D. 350
17	* 4404010134	PIE FILTRO	18	* 4404301003	PURGA AIRE + TUBO L=670
17	* 4404010113	PIE FILTRO D. 600	19	00471R0416	BRIDA " UNEX" REF.2244"
17	* 4404300924	PIE FILTRO D. 750	20	* 31993	VALVULA SELECTORA 1 1/2"
18	* 4404300607	TUBO PVC RIGIDO L-525	21	* 33969	VALVULA SELECTORA 2"

CODIGO 32430, 32431, 32432, 33850, 33851

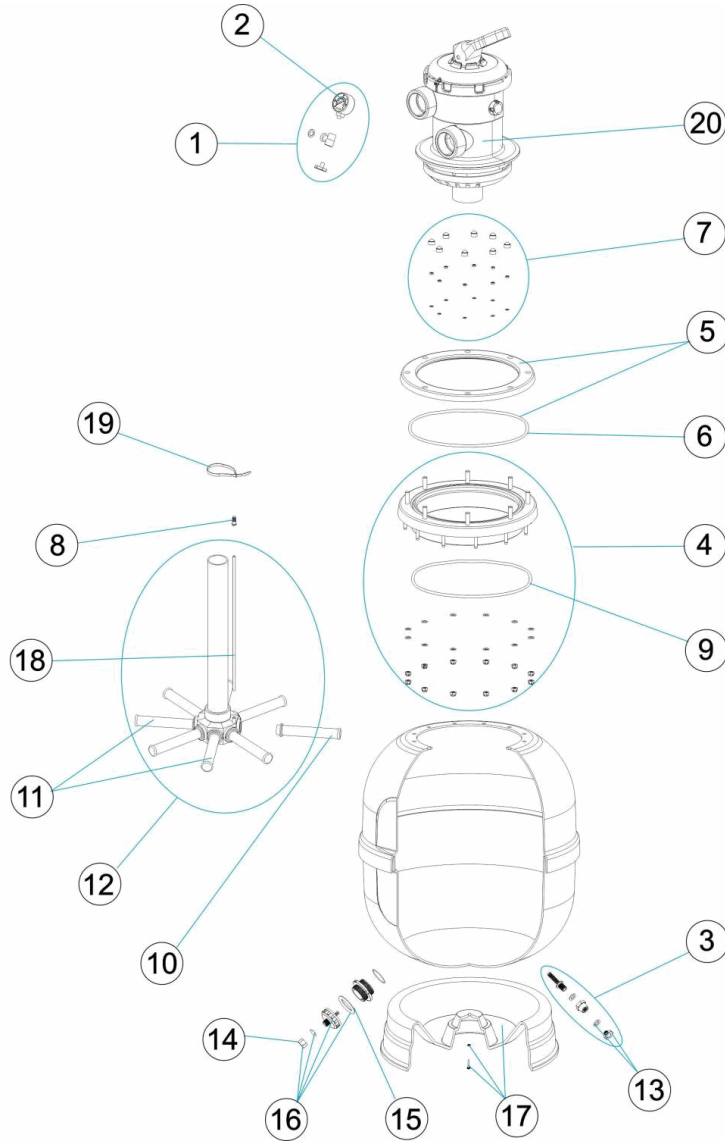
DESCRIPCION: FILTRO VOLCANO VALVULA TOP

OBSERVACIONES

POS	CODIGO	OBSERVACIONES
5	4404260001	PARA: 33850, 33851
5	4404260105	PARA: 32430, 32431, 32432
10	4404290109	PARA: 33851 [6UT]
10	4404300915	PARA: 32431 [4UT], 32432 [4UT]
10	4404300916	PARA: 33850 [6UT]
10	4404300917	PARA: 32430 [4UT]
11	4404010025	PARA: 32430
11	4404010026	PARA: 32431
11	4404010028	PARA: 33850
11	4404010048	PARA: 33851
12	4404010151	PARA: 32430
12	4404010152	PARA: 32431
12	4404010153	PARA: 32432
12	4404010154	PARA: 33850
12	4404010155	PARA: 33851
17	4404010040	PARA: 32430
17	4404010113	PARA: 33850
17	4404010134	PARA: 32431, 32432
17	4404300924	PARA: 33851
18	4404300607	PARA: 32430, 32431, 32432
18	4404301003	PARA: 33850, 33851
20	31993	PARA: 32430, 32431, 32432
21	33969	PARA: 33850, 33851

CODE **32430, 32431, 32432, 33850, 33851**

DESCRIPTION: **FILTRE VOLCANO VANNE TOP**



FRANCAIS

POS	CODE	DESCRIPTION	POS	CODE	DESCRIPTION
1	4404220101	MANOMETRE COMPLET	11	* 4404010025	ENSEMBLE BRAS DE REPARTITEUR D. 400
2	4404220102	MANOMETRE 1/8" 3 KG./C "	11	* 4404010026	ENSEMBLE BRAS DE REPARTITEUR D. 500
3	4404010108	PURGE D'EAU 3/8"	11	* 4404010028	ENSEMBLE BRAS DE REPARTITEUR D. 650
4	4404160809	BRIDE GORGE 20 VIS	11	* 4404010048	ENSEMBLE BRAS DE REPARTITEUR D. 750
5	* 4404260105	BRIDE DE FIXATION VANNE TOP 1 1/2"	12	* 4404010151	ENSEMBLE COLLECTEUR D. 450 TOP
5	* 4404260001	BRIDE DE FIXATION VANNE TOP 2"	12	* 4404010152	ENSEMBLE COLLECTEUR D. 500 TOP
6	4404260106	JOINT BRIDE FIXATION VANNE TOP	12	* 4404010153	ENSEMBLE COLLECTEUR D. 600 TOP
7	4404260107	VIS BRIDE FIXATION VANNE TOP	12	* 4404010154	ENSEMBLE COLLECTEUR D. 750 TOP
8	4404040108	PURGE D'AIR	12	* 4404010155	ENSEMBLE COLLECTEUR D. 900 TOP
9	4404020116	JOINT TORIQUE 255X4	13	4404040113	BOUCHON PURGE ET JOINT
10	* 4404300917	BRAS DE REPARTITEUR 1" 110 M "	14	4404020010	ENSEMBLE PURGE 2 1/2"
10	* 4404300915	BRAS DE REPARTITEUR 1" 175 M "	15	4404180108	JOINT PLAT FILTRE
10	* 4404300916	BRAS DE REPARTITEUR 1" 225 M "	16	4404180114	PURGE SABLE 2"

*** -> VOIR FICHE D'OBSERVATIONS**

CODE **32430, 32431, 32432, 33850, 33851**

DESCRIPTION: **FILTRE VOLCANO VANNE TOP**

10	* 4404290109	BRAS DE REPARTITEUR 1" 265 M/M "	17	* 4404010040	SOCLE FILTRE D. 350
17	* 4404010134	SOCLE FILTRE	18	* 4404301003	PURGE AIR + TUBE L=670
17	* 4404010113	SOCLE FILTRE D. 600	19	00471R0416	BRIDE UNEX 2244
17	* 4404300924	SOCLE FILTRE D 750	20	* 31993	VANNE MULTIVOIES 1 1/2"
18	* 4404300607	TUBE PVC RIGIDE L-525	21	* 33969	VANNE MULTIVOIES 2"

CODE **32430, 32431, 32432, 33850, 33851**

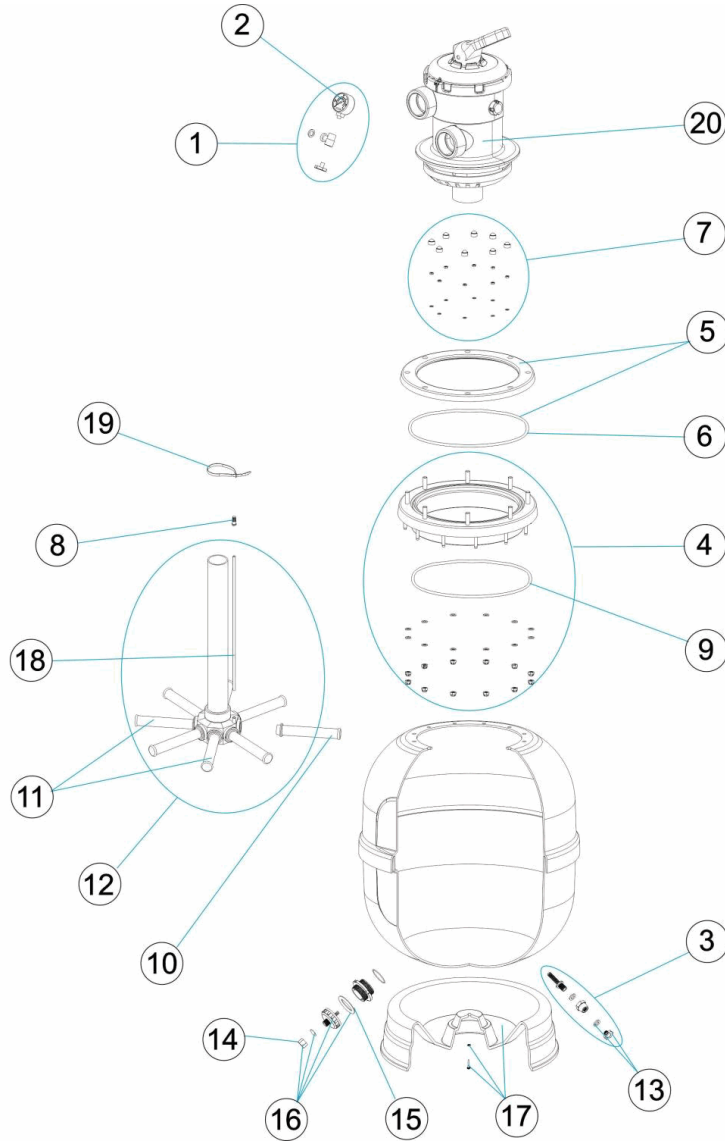
DESCRIPTION: **FILTRE VOLCANO VANNE TOP**

OBSERVATIONS

POS	CODE	OBSERVATIONS
5	4404260001	POUR: 33850, 33851
5	4404260105	POUR: 32430, 32431, 32432
10	4404290109	POUR: 33851 [6UT]
10	4404300915	POUR: 32431 [4UT], 32432 [4UT]
10	4404300916	POUR: 33850 [6UT]
10	4404300917	POUR: 32430 [4UT]
11	4404010025	POUR: 32430
11	4404010026	POUR: 32431
11	4404010028	POUR: 33850
11	4404010048	POUR: 33851
12	4404010151	POUR: 32430
12	4404010152	POUR: 32431
12	4404010153	POUR: 32432
12	4404010154	POUR: 33850
12	4404010155	POUR: 33851
17	4404010040	POUR: 32430
17	4404010113	POUR: 33850
17	4404010134	POUR: 32431, 32432
17	4404300924	POUR: 33851
18	4404300607	POUR: 32430, 32431, 32432
18	4404301003	POUR: 33850, 33851
20	31993	POUR: 32430, 32431, 32432
21	33969	POUR: 33850, 33851

CODE **32430, 32431, 32432, 33850, 33851**

DESCRIPTION: **VOLCANO FILTER VALVE TOP**



ENGLISH

POS	CODE	DESCRIPTION	POS	CODE	DESCRIPTION
1	4404220101	COMPLETE PRESSURE GAUGE UNIT	11	* 4404010025	MANIFOLD ARM ASSEMBLY D. 400
2	4404220102	PRESSURE GAUGE 1/8" 3 KG./C "	11	* 4404010026	MANIFOLD ARM ASSEMBLY D. 500
3	4404010108	WATER PURGE 3/8"	11	* 4404010028	MANIFOLD ARM ASSEMBLY D. 650
4	4404160809	20-SCREW NECK RING	11	* 4404010048	MANIFOLD ARM ASSEMBLY D. 750
5	* 4404260105	1 1/2" VALVE TOP FIXING RIN "	12	* 4404010151	MANIFOLD ASSEMBLY D. 450 TOP
5	* 4404260001	2" VALVE TOP FIXING RIN "	12	* 4404010152	MANIFOLD ASSEMBLY D. 500 TOP
6	4404260106	VALVE TOP RING FIXING GASKET	12	* 4404010153	MANIFOLD ASSEMBLY D. 600 TOP
7	4404260107	VALVE TOP FIXING RING SCREWS	12	* 4404010154	MANIFOLD ASSEMBLY D. 750 TOP
8	4404040108	AIR PURGE	12	* 4404010155	MANIFOLD ASSEMBLY D. 900 TOP
9	4404020116	O' RING 255X4	13	4404040113	DRAIN PLUG AND GASKET
10	* 4404300917	MANIFOLD ARM 1" 110 M "	14	4404020010	2 1/2" DRAIN SE "
10	* 4404300915	MANIFOLD ARM 1" 175 M "	15	4404180108	FILTER FLAT GASKET
10	* 4404300916	MANIFOLD ARM 1" 225 M "	16	4404180114	SAND PURGE 2'

*** -> SEE OBSERVATIONS SHEET**

CODE **32430, 32431, 32432, 33850, 33851**

DESCRIPTION: **VOLCANO FILTER VALVE TOP**

10	* 4404290109	COLLECTOR ARM 1" 265 M "	17	* 4404010040	FILTER BASE D. 350
17	* 4404010134	FILTER BASE	18	* 4404301003	AIR PURGE + PIPE L=670
17	* 4404010113	FILTER BASE D. 600	19	00471R0416	FLANGE UNEX 2244
17	* 4404300924	FILTER BASE D. 750	20	* 31993	MULTIPORT VALVE 11/2"
18	* 4404300607	RIGID PVC PIPE L-525	21	* 33969	MULTIPORT VALVE 2"

CODE **32430, 32431, 32432, 33850, 33851**

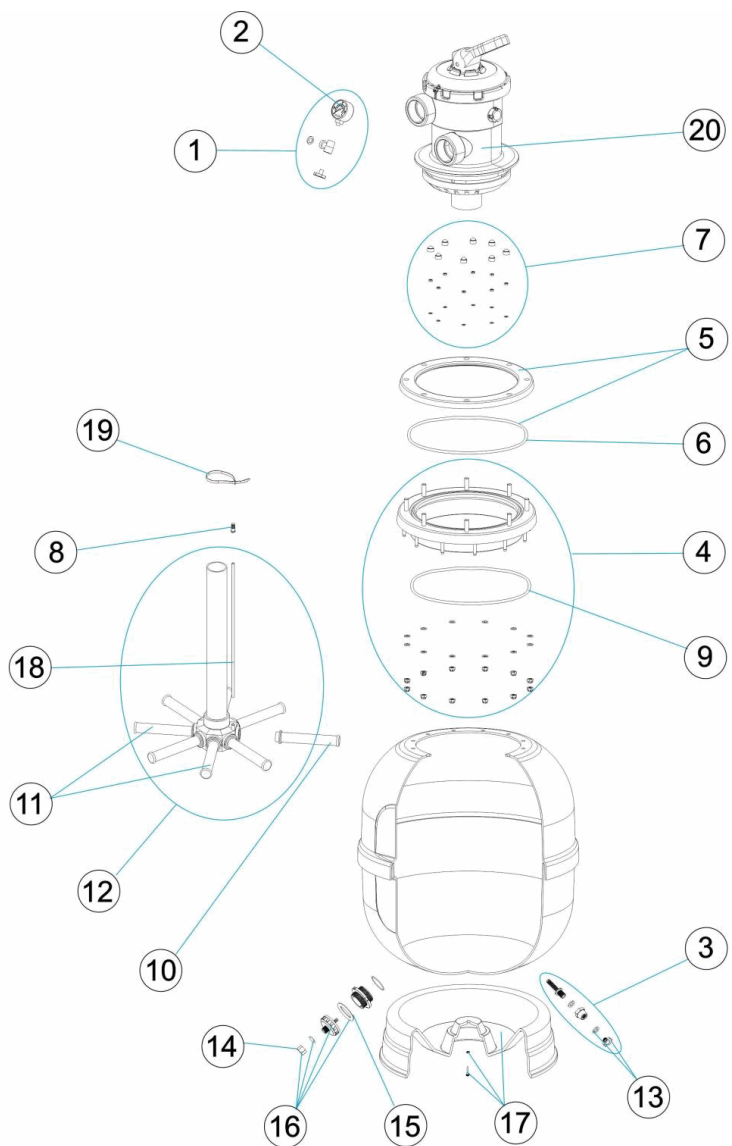
DESCRIPTION: **VOLCANO FILTER VALVE TOP**

OBSERVATIONS

POS	CODE	OBSERVATIONS
5	4404260001	FOR: 33850, 33851
5	4404260105	FOR: 32430, 32431, 32432
10	4404290109	FOR: 33851 [6UT]
10	4404300915	FOR: 32431 [4UT], 32432 [4UT]
10	4404300916	FOR: 33850 [6UT]
10	4404300917	FOR: 32430 [4UT]
11	4404010025	FOR: 32430
11	4404010026	FOR: 32431
11	4404010028	FOR: 33850
11	4404010048	FOR: 33851
12	4404010151	FOR: 32430
12	4404010152	FOR: 32431
12	4404010153	FOR: 32432
12	4404010154	FOR: 33850
12	4404010155	FOR: 33851
17	4404010040	FOR: 32430
17	4404010113	FOR: 33850
17	4404010134	FOR: 32431, 32432
17	4404300924	FOR: 33851
18	4404300607	FOR: 32430, 32431, 32432
18	4404301003	FOR: 33850, 33851
20	31993	FOR: 32430, 32431, 32432
21	33969	FOR: 33850, 33851

CODICE 32430, 32431, 32432, 33850, 33851

DESCRIZIONE: FILTRO VULCANO VALVOLA TOP



ITALIANO

POS	CODICE	DESCRIZIONE	POS	CODICE	DESCRIZIONE
1	4404220101	MANOMETRO COMPLETO	11	* 4404010025	GRUPPO CANDELOTTO COLLECTORE D. 400
2	4404220102	MANOMETRO 1/8" 3 KG./C "	11	* 4404010026	GRUPPO CANDELOTTO COLLECTORE D. 500
3	4404010108	SCARICO ACQUA 3/8"	11	* 4404010028	GRUPPO CANDELOTTO COLLECTORE D. 650
4	4404160809	ANELLO COLLO 20 VITI	11	* 4404010048	GRUPPO CANDELOTTO COLLECTORE D. 750
5	* 4404260105	FLANGIA FISSAGGIO VALVOLE TOP 1 1/2"	12	* 4404010151	KIT COLLETTORE D. 450 TOP
5	* 4404260001	FLANGIA FISSAGGIO VALVOLE TOP 2"	12	* 4404010152	KIT COLLETTORE D. 500 TOP
6	4404260106	GUARNIZIONE FLANGIA FISSAGGIO VALVOLE TOP	12	* 4404010153	KIT COLLETTORE D. 600 TOP
7	4404260107	BULLONERIA PER FLANGIA FISSAGGIO VALVOLE TO	12	* 4404010154	KIT COLLETTORE D. 750 TOP
8	4404040108	SFIATO ARIA	12	* 4404010155	KIT COLLETTORE D. 900 TOP
9	4404020116	O-RING 255X4	13	4404040113	TAPPO SPURGO E GUARNIZIONE
10	* 4404300917	CANDELOTTO COLLECTORE 1" 110 M "	14	4404020010	KIT SCARICO 2 1/2"
10	* 4404300915	CANDELOTTO COLLECTORE 1" 175 M "	15	4404180108	GUARNIZIONE PIANA FILTRO
10	* 4404300916	CANDELOTTO COLLECTORE 1" 225 M "	16	4404180114	SCARICO SABBIA 2"

* -> SI FACCIAMO RIFERIMENTO AL FOGLIO DELLE OSSERVAZIONI

CODICE **32430, 32431, 32432, 33850, 33851**

DESCRIZIONE: **FILTRO VULCANO VALVOLA TOP**

10	* 4404290109	CANDELOTTO 1" 265 M/M "	17	* 4404010040	BASE FILTRO D. 350
17	* 4404010134	BASE FILTRO	18	* 4404301003	SPURGO ARIA + TUBO L=670
17	* 4404010113	BASE FILTRO D.600	19	00471R0416	FLANGIA UNEX 2244
17	* 4404300924	BASE FILTRO D 750	20	* 31993	VALVOLA SELETRRICE 11/2"
18	* 4404300607	TUBO PVC RIGIDO L-525	21	* 33969	VALVOLA SELETRRICE 2"

CODICE **32430, 32431, 32432, 33850, 33851**

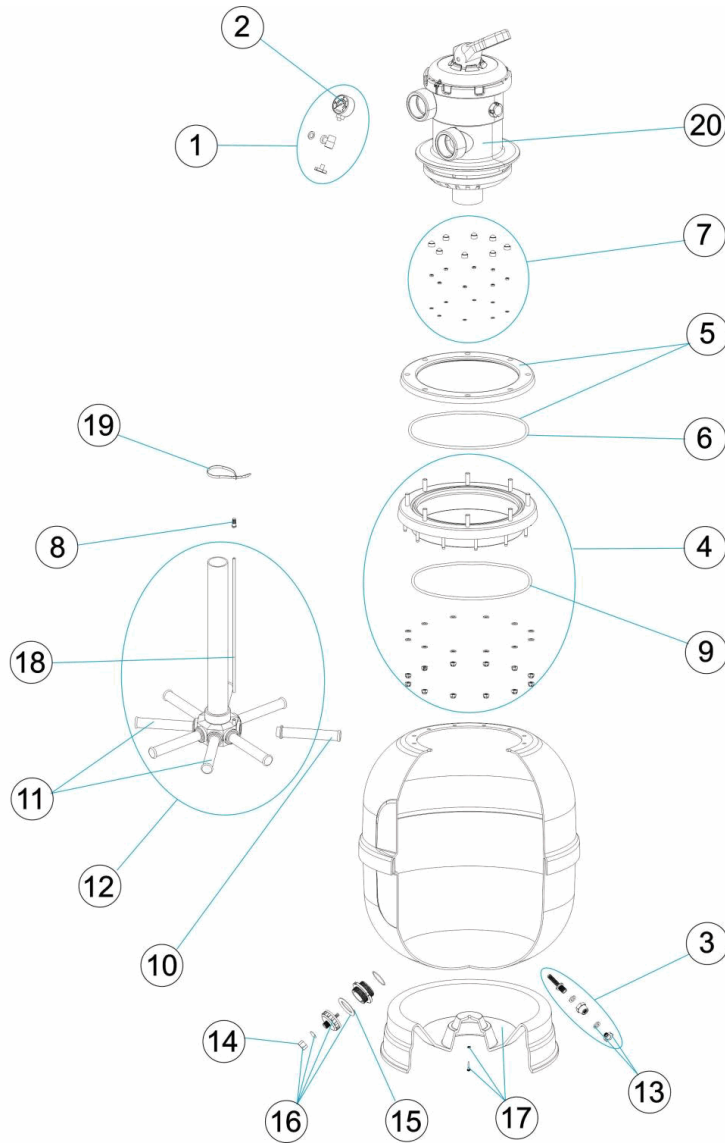
DESCRIZIONE: **FILTRO VULCANO VALVOLA TOP**

OSSERVAZIONI

POS	CODICE	OSSERVAZIONI
5	4404260001	PER: 33850, 33851
5	4404260105	PER: 32430, 32431, 32432
10	4404290109	PER: 33851 [6UT]
10	4404300915	PER: 32431 [4UT], 32432 [4UT]
10	4404300916	PER: 33850 [6UT]
10	4404300917	PER: 32430 [4UT]
11	4404010025	PER: 32430
11	4404010026	PER: 32431
11	4404010028	PER: 33850
11	4404010048	PER: 33851
12	4404010151	PER: 32430
12	4404010152	PER: 32431
12	4404010153	PER: 32432
12	4404010154	PER: 33850
12	4404010155	PER: 33851
17	4404010040	PER: 32430
17	4404010113	PER: 33850
17	4404010134	PER: 32431, 32432
17	4404300924	PER: 33851
18	4404300607	PER: 32430, 32431, 32432
18	4404301003	PER: 33850, 33851
20	31993	PER: 32430, 32431, 32432
21	33969	PER: 33850, 33851

CODE 32430, 32431, 32432, 33850, 33851

BESCHREIBUNG: FILTER VOLCANO VENTIL TOP



DEUTSCH

POS	CODE	BESCHREIBUNG	POS	CODE	BESCHREIBUNG
1	4404220101	MANOMETER KOMPLETT	11	* 4404010025	SET FILTERSTERN-SCHLITZROHR D. 400
2	4404220102	MANOMETER 1/8" 3 KG/C "	11	* 4404010026	SET FILTERSTERN-SCHLITZROHR D. 500
3	4404010108	WASSERABLAß 3/8"	11	* 4404010028	SET FILTERSTERN-SCHLITZROHR D. 650
4	4404160809	FILTERRING 20 SCHRAUBEN	11	* 4404010048	SET FILTERSTERN-SCHLITZROHR D. 750
5	* 4404260105	FIXIERRING VENTIL TOP 1 1/2"	12	* 4404010151	SAMMELROHRSET D. 450 TOP
5	* 4404260001	FIXIERRING VENTIL TOP 2"	12	* 4404010152	SAMMELROHRSET D. 500 TOP
6	4404260106	DICHTUNG FIXIERRING VENTIL	12	* 4404010153	SAMMELROHRSET D. 600 TOP
7	4404260107	SCHRAUBENSATZ FIXIERRING VENTIL	12	* 4404010154	SAMMELROHRSET D. 750 TOP
8	4404040108	ENTLÜFTUNG	12	* 4404010155	SAMMELROHRSET D. 900 TOP
9	4404020116	O-RING 255 X 4	13	4404040113	ABLAßSTOPFEN UND DICHTUNG
10	* 4404300917	FILTERSTERN-SCHLITZROHR 1" 110 M "	14	4404020010	SET WASSERABLAß 2 1/2"
10	* 4404300915	FILTERSTERN-SCHLITZROHR 1" 175 M "	15	4404180108	FLACHDICHTUNG FILTER
10	* 4404300916	FILTERSTERN-SCHLITZROHR 1" 225 M "	16	4404180114	SANDENTLEERUNG 2'

* -> SIEHE ANMERKUNGSBLATT

CODE **32430, 32431, 32432, 33850, 33851**

BESCHREIBUNG: **FILTER VOLCANO VENTIL TOP**

10	* 4404290109	FILTERSTERN-SCHLITZROHR 1" 265 M "	17	* 4404010040	FILTERFUSS D. 350
17	* 4404010134	FILTERFUSS	18	* 4404301003	ENTLÜFTUNG UND ROHR L=670
17	* 4404010113	FILTERFUSS D. 600	19	00471R0416	FLANSCH " UNEX" REF.2244"
17	* 4404300924	FILTERFUSS D. 750	20	* 31993	MEHRWEGVENTIL 1 1/2"
18	* 4404300607	ROHR PVC HART L - 525	21	* 33969	MEHRWEGVENTIL 2"

CODE **32430, 32431, 32432, 33850, 33851**

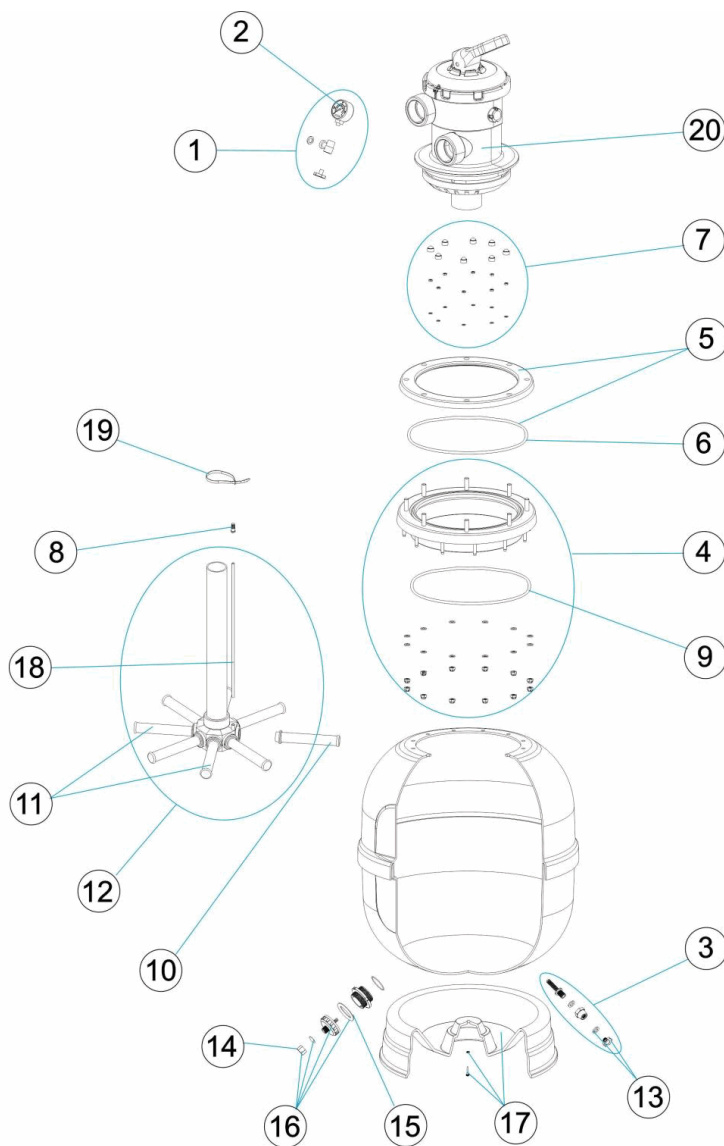
BESCHREIBUNG: **FILTER VOLCANO VENTIL TOP**

HINWEISE

POS	CODE	HINWEISE
5	4404260001	FÜR: 33850, 33851
5	4404260105	FÜR: 32430, 32431, 32432
10	4404290109	FÜR: 33851 [6UT]
10	4404300915	FÜR: 32431 [4UT], 32432 [4UT]
10	4404300916	FÜR: 33850 [6UT]
10	4404300917	FÜR: 32430 [4UT]
11	4404010025	FÜR: 32430
11	4404010026	FÜR: 32431
11	4404010028	FÜR: 33850
11	4404010048	FÜR: 33851
12	4404010151	FÜR: 32430
12	4404010152	FÜR: 32431
12	4404010153	FÜR: 32432
12	4404010154	FÜR: 33850
12	4404010155	FÜR: 33851
17	4404010040	FÜR: 32430
17	4404010113	FÜR: 33850
17	4404010134	FÜR: 32431, 32432
17	4404300924	FÜR: 33851
18	4404300607	FÜR: 32430, 32431, 32432
18	4404301003	FÜR: 33850, 33851
20	31993	FÜR: 32430, 32431, 32432
21	33969	FÜR: 33850, 33851

CODIGO **32430, 32431, 32432, 33850, 33851**

DESCRIÇÃO: **FILTRO VOLCANO VÁLVULA TOP**



PORTUGUES

POS	CODIGO	DESCRIÇÃO	POS	CODIGO	DESCRIÇÃO
1	4404220101	MANÓMETRO COMPLETO	11	* 4404010025	CJTO. BRAÇO COLECTOR D. 400
2	4404220102	MANOMETRO 1/8" 3 KG./C "	11	* 4404010026	CJTO. BRAÇO COLECTOR D. 500
3	4404010108	PURGA AGUA 3/8"	11	* 4404010028	CJTO. BRAÇO COLECTOR D.650
4	4404160809	ARO PESCOCOÇO 20 PARAFUSOS	11	* 4404010048	CJTO. BRAÇO COLECTOR D. 750
5	* 4404260105	ARO FIXAÇÃO VALVULA TOP 1 1/2"	12	* 4404010151	CJTO. COLECTOR D. 450 TOP
5	* 4404260001	ARO FIXAÇÃO VALVULA TOP 2"	12	* 4404010152	CJTO. COLECTOR D. 500 TOP
6	4404260106	JUNTA ARO FIXAÇÃO VALVULA TOP	12	* 4404010153	CJTO. COLECTOR D. 600 TOP
7	4404260107	PARAFUSOS ARO FIXAÇÃO VALVULA TOP	12	* 4404010154	CJTO. COLECTOR D. 750 TOP
8	4404040108	PURGA AREIA	12	* 4404010155	CJTO. COLECTOR D. 900 TOP
9	4404020116	JUNTA TÓRICA 255X4	13	4404040113	TAMPÃO PURGA E JUNTA
10	* 4404300917	BRAÇO COLECTOR 1" 110 M "	14	4404020010	CONJUNTO PURDA AREIA 2 1/2"
10	* 4404300915	BRAÇO COLECTOR 1" 175 M "	15	4404180108	JUNTA PLANA FILTRO
10	* 4404300916	BRAÇO COLECTOR 1" 225 M "	16	4404180114	PURGA AREIA 2'

*** -> VEJA A FICHA DE OBSERVAÇÕES**

CODIGO **32430, 32431, 32432, 33850, 33851**

DESCRIÇÃO: **FILTRO VOLCANO VÁLVULA TOP**

10	* 4404290109	BRAÇO COLECTOR 1" 265 M/M "	17	* 4404010040	PÉ FILTRO D. 350
17	* 4404010134	PÉ FILTRO	18	* 4404301003	PURGA AR + TUBO L=670
17	* 4404010113	PÉ FILTRO D. 600	19	00471R0416	FLANGE UNEX 2244
17	* 4404300924	PÉ FILTRO D 750	20	* 31993	VALVULA SELETORA 1 1/2"
18	* 4404300607	TUBO PVC RÍGIDO L-525	21	* 33969	VALVULA SELETORA 2"

CODIGO 32430, 32431, 32432, 33850, 33851

DESCRIÇÃO: FILTRO VOLCANO VÁLVULA TOP

OBSERVAÇÕES

POS	CODIGO	OBSERVAÇÕES
5	4404260001	PARA: 33850, 33851
5	4404260105	PARA: 32430, 32431, 32432
10	4404290109	PARA: 33851 [6UT]
10	4404300915	PARA: 32431 [4UT], 32432 [4UT]
10	4404300916	PARA: 33850 [6UT]
10	4404300917	PARA: 32430 [4UT]
11	4404010025	PARA: 32430
11	4404010026	PARA: 32431
11	4404010028	PARA: 33850
11	4404010048	PARA: 33851
12	4404010151	PARA: 32430
12	4404010152	PARA: 32431
12	4404010153	PARA: 32432
12	4404010154	PARA: 33850
12	4404010155	PARA: 33851
17	4404010040	PARA: 32430
17	4404010113	PARA: 33850
17	4404010134	PARA: 32431, 32432
17	4404300924	PARA: 33851
18	4404300607	PARA: 32430, 32431, 32432
18	4404301003	PARA: 33850, 33851
20	31993	PARA: 32430, 32431, 32432
21	33969	PARA: 33850, 33851